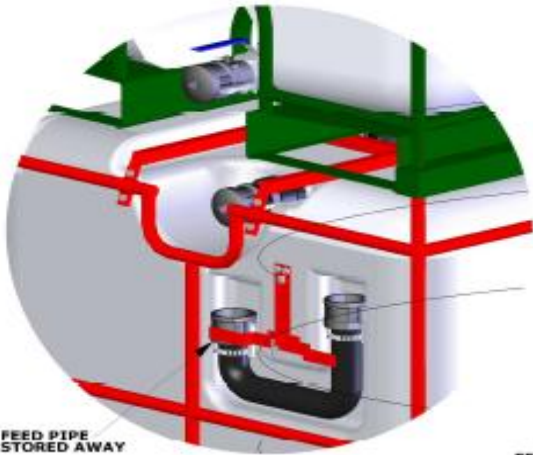
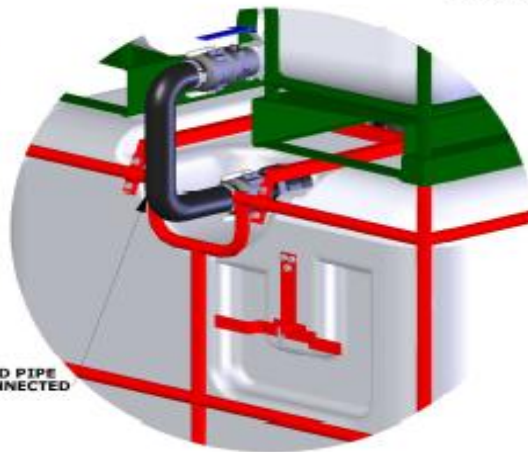




CHEMTAINER MOTHER UNIT

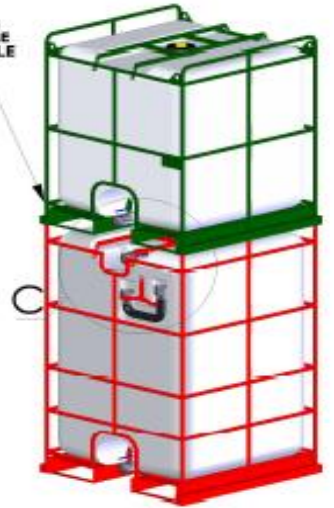


DETAIL C
SCALE 1 : 9

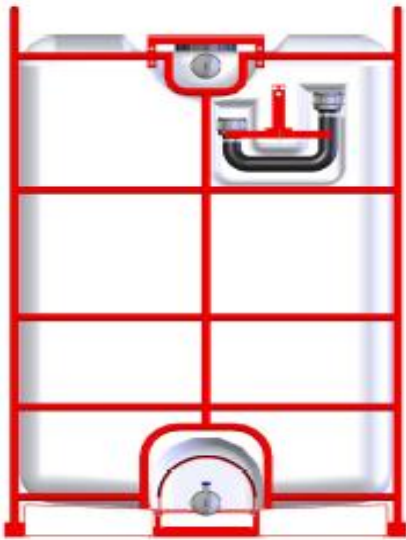


DETAIL D
SCALE 1 : 9

MAXIMUM STACKING
CAPABILITY OF SINGLE
CHEMTAINER ON SINGLE
MOTHER UNIT



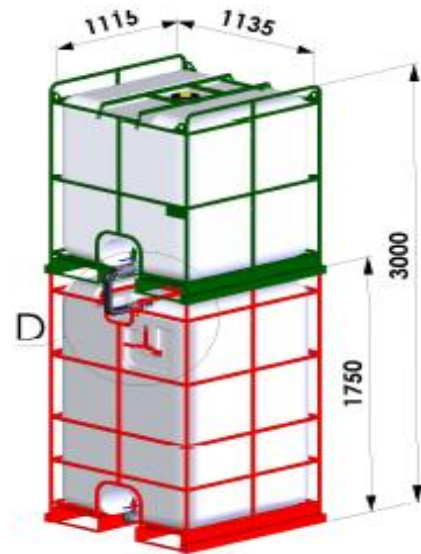
DIMETRIC ILLUSTRATION OF
CHEMTAINER AND MOTHER
UNIT STACKED



FRONT VIEW OF CHEMTAINER
MOTHER UNIT



DIMETRIC ILLUSTRATION OF
CHEMTAINER MOTHER UNIT



DIMETRIC ILLUSTRATION OF
CHEMTAINER AND MOTHER
UNIT STACKED AND LINKED

OVER-ALL DIMENSIONS	
CHEMTAINER MOTHER UNIT	1750 x 1135 x 1115
CHEMTAINER + MOTHER UNIT	3000 x 1135 x 1115
CAPACITY OF MOTHER UNIT	1600LT
CHEMTAINER + MOTHER UNIT	2600LT